



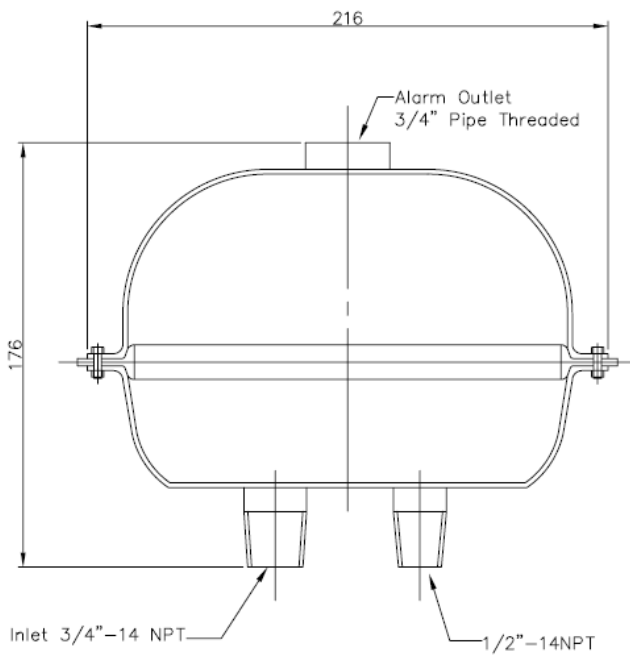
Retard-Chamber Technical Specification

Max. Working Pressure : 175PSI(1200kPa)

Min. Operation Pressure : 7 PSI(48 kPa)

Factory Hydrostatic Test : 100% @500PSI(3450 kPa)

Material : shell and bolts :SUS304



PROTECTOR

An ISO 9001 certified company

email: info@protector.com.tw