

Reliable®

Model G Sidewall Model G/F1 Recessed Sidewall Sprinklers

A Complete Line of Sidewall Sprinklers

1. Model G Vertical Sidewall-Upright.
2. Model G Vertical Sidewall-Pendent.
3. Model G Horizontal Sidewall-HSW1 Deflector.
4. Model G/F1/HSW1 Recessed Horizontal Sidewall-HSW1 Deflector.
5. Model G Extended Coverage Horizontal Sidewall-EC4 Deflector.
6. Model G/F1/EC4 Recessed Extended Coverage Horizontal Sidewall-EC4 Deflector.
7. Variety of finishes.
8. Multiple orifice sizes.

Product Description

All Reliable Model G Automatic Sidewall Sprinklers utilize the center strut in compression principle of construction. The fusible alloy, retained in the cylinder of a small solder capsule by a stainless steel ball, acts as the trigger of the sprinkler. When the fusible alloy melts, the sprinkler operating parts spring free from the sprinkler, clearing the water way and allowing the sprinkler to distribute the discharging water.

Sidewall Sprinkler Types:

Model G Vertical Sidewall Sprinkler

The Model G Vertical Sidewall Sprinkler is designed for use in light hazard situations where standard sprinklers are deemed impractical because of decorative or structural conditions. It discharges approximately 15% of the water on the wall behind it with the remaining 85% discharged in front of the sprinkler. This sprinkler may be installed in either the Upright or the Pendent position.

Model G Horizontal Sidewall Sprinkler— HSW1 Deflector

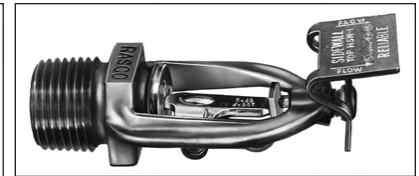
This deflector configuration is designed and listed for use in either light or ordinary hazard occupancies. The use of the Model G Horizontal Sidewall Sprinkler in ordinary hazard occupancies will provide installation simplicities and economies in many circumstances.

Model G/F1/HSW1 Recessed Horizontal Sidewall Sprinkler-HSW1 Deflector

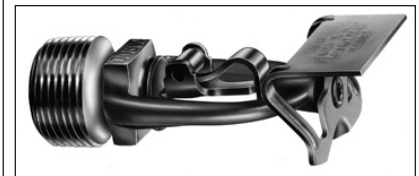
The combination of the Model F1 Recessed Escutcheon and the Model G Horizontal Sidewall Sprinkler-HSW1 Deflector provides a very attractive recessed sprinkler for use in light hazard occupancies.



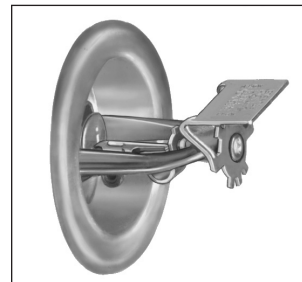
Model G
Vertical Upright



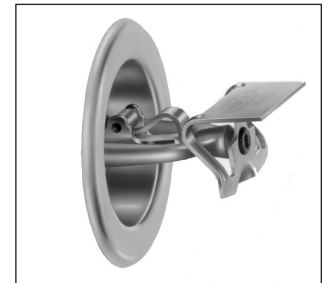
Model G Horizontal-HSW1



Model G Horizontal
Extended Coverage-EC4



Model G/F1/EC4
Recessed Horizontal
Extended Coverage-EC4



Model G/F1/HSW1
Recessed
Horizontal-HSW1

Model G Extended Coverage Horizontal Sidewall Sprinkler-EC4 Deflector

The Model G Extended Coverage Sprinkler is listed for the protection of larger than normal areas in light hazard occupancies.

Model G/F1/EC4 Recessed Extended Coverage Horizontal Sidewall Sprinkler-EC4 Deflector

The combination of the Model F1 Recessed Escutcheon and the 17/32" (20mm) orifice x 3/4" NPT (R3/4) Model G Horizontal Sidewall Sprinkler-EC4 Deflector provides a very attractive recessed sprinkler for use in larger than normal areas in light hazard occupancies.

Model G Extended Coverage Horizontal Sidewall Sprinkler — EC4 Deflector

Technical Data

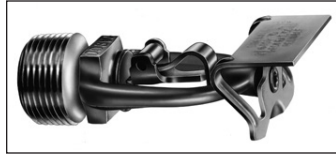
Length:

3⁵/₁₆" (84mm) - 1/2" (15mm) Orifice Sprinkler

3¹⁷/₃₂" (90mm) - 1⁷/₃₂" (20mm) Orifice Sprinkler

Rating: 135°F (57°C)

Max. Ambient Temp. 100°F (38°C)



Approval Type:

Extended Coverage-Light Hazard Occupancy.

Approvals:

Underwriters Laboratories Inc. NYC BS&A No 587-75-SA

Underwriters' Laboratories of Canada

Installation Wrench:

Model D Sprinkler Wrench or Model W2 Sprinkler Wrench

Color Identification:

Black Paint (Bronze Finish Only).

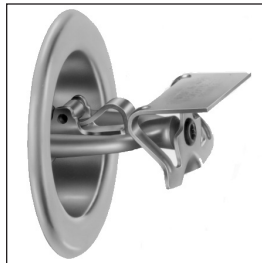
Ceiling to Deflector Distance:

6 to 12 inches (152mm to 305mm).

Technical Data

Nominal Orifice	Thread Size	K Factor		Flow Rate gpm (L/min)	Pressure psi (bar)	Coverage Area Width x Length ft. x ft (m x m)	Sprinkler Ident. Number (SIN)
		US	Metric				
1/2" (15mm)	1/2" (R ¹ / ₂)	5.62	81.0	30 (113.5)	28.5 (2,0)	16 x 18 (4.9 x 5.5)	R1265
1/2" (15mm)	1/2" (R ¹ / ₂)	5.62	81.0	38 (143.8)	45.7 (3,2)	16 x 20 (4.9 x 6.0)	R1265
1 ⁷ / ₃₂ " (20mm)	3/4" (R ³ / ₄)	8.20	118.2	30 (113.5)	13.4 (0,9)	16 x 18 (4.9 x 5.5)	R1267
1 ⁷ / ₃₂ " (20mm)	3/4" (R ³ / ₄)	8.20	118.2	32 (121.1)	15.2 (1,0)	16 x 20 (4.9 x 6.0)	R1267
1 ⁷ / ₃₂ " (20mm)	3/4" (R ³ / ₄)	8.20	118.2	37 (140.0)	20.0 (1,4)	16 x 22 (4.9 x 6.7)	R1267
1 ⁷ / ₃₂ " (20mm)	3/4" (R ³ / ₄)	8.20	118.2	39 (147.6)	22.6 (1,6)	16 x 24 (4.9 x 7.3)	R1267

Model G/F1/EC4 Extended Coverage Horizontal Sidewall Sprinkler — EC4 Deflector



Technical Data

Nominal Orifice: 1⁷/₃₂" (20mm)

Thread Size: 3/4" NPT (R³/₄)

K Factor: 8.20 US (118.2 Metric)

Length: 3¹⁷/₃₂" (90mm)

Rating: 135°F (57°C)

Max. Ambient Temp.: 100°F (38°C)

Approval Type:

Extended Coverage-Light Hazard Occupancy.

Approvals:

Underwriters Laboratories Inc. NYC BS&A No 587-75-SA

Underwriters' Laboratories of Canada

Installation Wrench:

Model GFR1 Sprinkler Wrench.

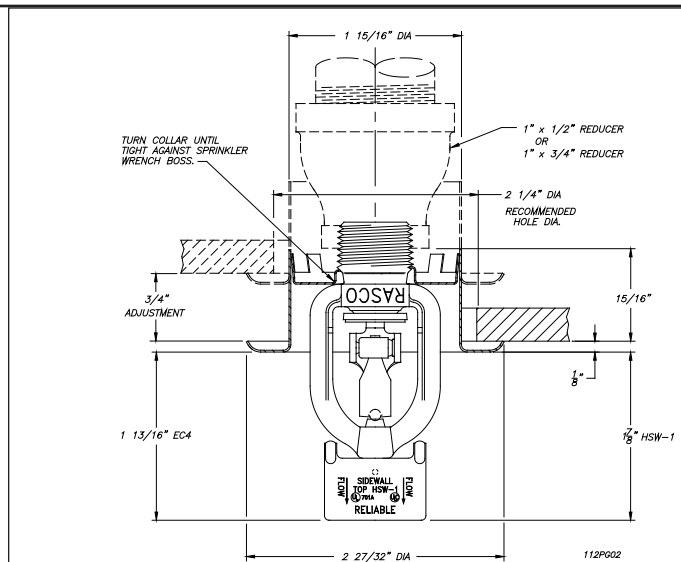
Color Identification:

Black Paint (Bronze Finish Only).

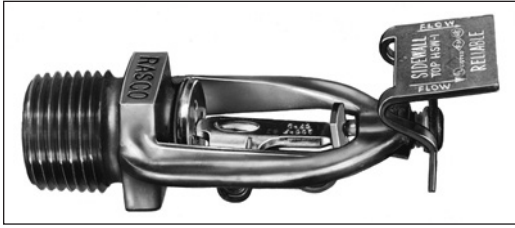
Technical Data

Flow Rate gpm (L/min)	Pressure psi (bar)	Coverage Area Width x Length ft. x ft (m x m)	Deflector to Ceiling Dimension Min. - Max. in. (mm)	Sprinkler Ident. Number (SIN)
30 (113.5)	13.4 (0,9)	16 x 18 (4.9 x 4.9)	6 - 12 (152 - 305)	R1267
32 (121.1)	15.2 (1,0)	16 x 20 (4.9 x 6.0)	6 - 12 (152 - 305)	
37 (140.0)	20.0 (1,4)	16 x 22 (4.9 x 6.7)	6 - 12 (152 - 305)	

Model G/F1/EC4
Model G/F1/HSW1
Recessed Sidewall Sprinkler



MODEL G HORIZONTAL SIDEWALL SPRINKLER — HSW1 Deflector



Installation Wrench:

Model D Sprinkler Wrench or Model W2 Sprinkler Wrench

Ceiling to deflector distance:

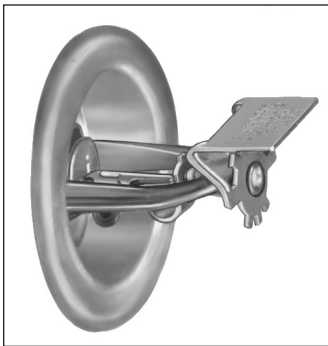
4 to 6 Inches (102mm to 152mm).

Technical Data

Nominal Orifice	Thread Size	K Factor		Sprinkler Length	Approval Organizations		Sprinkler Ident. Number (SIN)
		US	Metric		Light Hazard	Ordinary Hazard	
1/2" (15mm)	1/2" (R1/2)	5.62	81.0	3 ⁵ / ₁₆ " (84mm)	1, 2, 3, 4, 5, 6	1, 3, 5, 6	R1235
7/16" ⁽¹⁾ (11mm)	1/2" (R1/2)	4.24	61.0	3 ⁵ / ₁₆ " (84mm)	1, 3, 5, 6	--	R1233
3/8" ⁽¹⁾ (10mm)	1/2" (R3/4)	2.82	40.6	3 ⁵ / ₁₆ " (84mm)	1, 3, 5, 6	--	R1231
17/32" (20mm)	3/4" (R3/4)	8.20	118.2	3 ⁵ / ₁₆ " (84mm)	1, 3, 5, 6	--	R1237
17/32" ⁽¹⁾ (20mm)	1/2" (R3/4)	7.96	114.7	3 ⁵ / ₁₆ " (84mm)	1, 3, 5, 6	--	R1236

⁽¹⁾ Identified by pintle extending beyond deflector.

Model G/F1/HSW1 Recessed Horizontal Sidewall Sprinkler — HSW1 Deflector



Rating: 135°F (57°C)

Max. Ambient Temp.: 100°F (38°C)

Underwriters Laboratories Inc.

Length: 3⁵/₁₆" (84mm)

Approval Type: Light Hazard Occupancy

Approvals:

Underwriters Laboratories Inc.

NYC BS&A No 587-75-SA

Underwriters' Laboratories of Canada

Installation Wrench:

Model GFR1 Sprinkler Wrench.

Color Identification:

Black Paint (Bronze Finish Only).

Ceiling to Deflector Distance:

4 to 6 inches (102mm to 152mm).

Technical Data

Nominal Orifice	Thread Size	K Factor		Sprinkler Ident. Number (SIN)
		US	Metric	
1/2" (15mm)	1/2" (R1/2)	5.62	81.0	R1235
7/16" (11mm)	1/2" (R3/4)	4.24	61.0	R1233

⁽¹⁾ Identified by pintle beyond deflector.

MODEL G VERTICAL SIDEWALL SPRINKLER



Installation Wrench:

Model D Sprinkler Wrench or Model W2 Sprinkler Wrench

Installation Position:

Upright or Pendent

Approval Type:

Light Hazard Occupancy

Ceiling to Deflector Distance:

4 to 6 inches (102mm to 152mm).

Wall to Deflector Distance:

4 to 6 inches (102mm to 150 mm).

Technical Data

Nominal Orifice	Thread Size	K Factor		Sprinkler Length	Approval Organizations	Sprinkler Ident. Number (SIN)
		US	Metric			
1/2" (15mm)	1/2" (R1/2)	5.62	81.0	2 ⁷ / ₈ " (73mm)	2, 4	R1285

Temperature ratings and finishes for Model G Horizontal Sidewall— HSW1 Deflector and Vertical Sidewall Sprinklers

Sprinkler		Maximum Ambient Temperature		Frame Color*
°F	°C	°F	°C	
135	57	100	38	Black
165	74	100	38	Uncolored
212	100	150	66	White
286	141	225	107	Blue

Approval Organizations:

1. Underwriters Laboratories, Inc.
2. Factory Mutual Research Corp.
3. Underwriters' Laboratories of Canada
4. LPCB
5. NYC BS&A No. 587-75-SA
6. NYC MEA 258-93-E

* Frame color does not apply to plated or painted sprinklers.

Finishes ⁽¹⁾

Standard Finishes	
Sprinkler	Escutcheon
Bronze Chrome Plated	Bronze Chrome Plated
Special application Finishes	
Sprinkler	Escutcheon
Bright Brass ⁽²⁾ Black Plated ⁽²⁾ Satin Chrome Lead Plated - 165°F (74°C), 212°F (100°C) and 286°F (141°C) Ratings Wax Coated - 165°F (74°C) Clear Wax, 212°F (100°C) Brown Wax ⁽³⁾ Wax Over Lead Plated - 165°F (74°C) Clear Wax, 212°F (100°C) Brown Wax ⁽³⁾	Bright Brass Black Plated Satin Chrome

⁽¹⁾ Other colors and finishes are available. Consult factory for details.

⁽²⁾ Only frame, deflector and cap are plated.

⁽³⁾ 212°F (100°C) brown wax may be used on 286°F (141°C) sprinklers when maximum ceiling temperatures do not exceed 150°F (66°C). UL Listed only.

Ordering Information:

Specify:

1. Model
G or G/F1
2. Recessed
(Only G/F1)
3. Deflector
 - Vertical Sidewall Deflector
 - Horizontal Sidewall - HSW1 Deflector
 - Horizontal Sidewall - EC4 Deflector
4. Nominal Orifice
5. Inlet Thread
6. Temperature Rating
7. Sprinkler Finish
8. Escutcheon Finish

NOTE: Sprinkler and escutcheon are packaged separately.

The equipment presented in this bulletin is to be installed in accordance with the latest published Standards of the National Fire Protection Association, Factory Mutual Research Corporation, or other similar organizations and also with the provisions of governmental codes or ordinances whenever applicable. Products manufactured and distributed by Reliable have been protecting life and property for over 90 years.

Manufactured by

Reliable®

Reliable Automatic Sprinkler Co., Inc.

(800) 431-1588 Sales Offices
 (800) 848-6051 Sales Fax
 (914) 829-2042 Corporate Offices
 www.reliablesprinkler.com Internet Address



Revision lines indicate updated or new data.

EG. Printed in U.S.A 03/17 P/N 999997007